

**FTB 304/FTB 305**

**White, Medium Intensity, Obstruction Lighting System**

---

**Equipment Reference Manual**

# Front Matter

The Front Matter contains the following sections:

- Abstract, describing the purpose of the manual
- Copyright and Trademark information
- Applicable Specification or Specifications
- Standard Disclaimer

## Abstract

This document briefly describes the FTB 304 and FTB 305 Obstruction Lighting System.

## Copyright

Copyright © 1995, 1997 Flash Technology Corporation of America<sup>®</sup>, 332 Nichol Mill Lane, Franklin, TN, 37067, U.S.A.

All rights reserved. Reproduction or use of any portion of this manual is prohibited without express written permission from Flash Technology Corporation of America and/or its licensor.

## Trademark Acknowledgments

Flash Technology Corporation of America<sup>®</sup> is a registered trademark name.

ElectroFlash<sup>™</sup>, Flash Tech<sup>™</sup>, Flash Technology<sup>™</sup>, FTCA<sup>™</sup>, Coruscating<sup>™</sup>, and the Flash Technology Logo are all trademarks of Flash Technology Corporation of America<sup>®</sup>.

All trademarks and product names mentioned are properties of their respective companies, and are recognized and acknowledged as such by Flash Technology Corporation of America.

## Applicable Specification

This equipment meets or exceeds requirements in Advisory Circular 150/5345-43D for FAA Type L-865 medium intensity obstruction lights.

## Disclaimer

While every effort has been made to ensure that the information in this manual is complete, accurate and up-to-date, Flash Technology Corporation of America assumes no liability for damages resulting from any errors or omissions in this manual, or from the use of the information contained herein. Flash Technology Corporation of America reserves the right to revise this manual without obligation to notify any person or organization of the revision.

In no event will Flash Technology Corporation of America be liable for direct, indirect, special, incidental, or consequential damages arising out of the use of or the inability to use this manual.

## Parts Replacement

***The use of non-OEM parts or unauthorized modification of this equipment will void the warranty and could invalidate the assurance of complying with FAA requirements as published in Advisory Circular 150/5345-43D.***

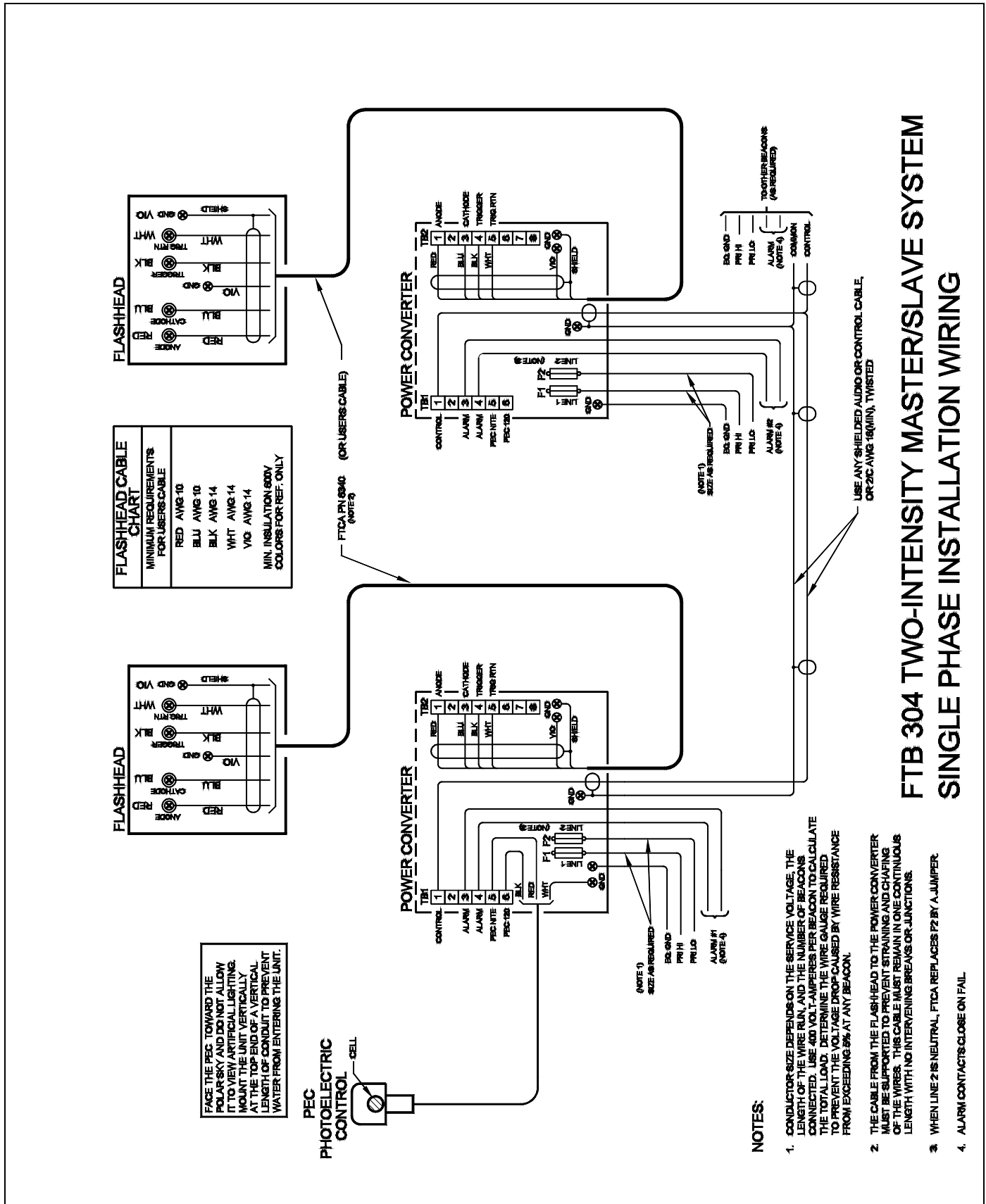
Pub. No. 0594-304-0002

# Section 1 Note of Addendum to the FTB 204/FTB 205 Manual

This manual is to be used with the FTB 304/FTB 305 Obstruction Lighting System.

The FTB 304/FTB 305 Obstruction Lighting System is similar to the FTB 204/FTB 205. The differences in the FTB 304/FTB 305 are as follows:

- The FTB 304/FTB 305 operates *only* in *twilight* and *night* modes, but not in high-intensity day mode.
- The FTB 304/FTB 305 complies with the FAA Specification for L-865 lights.
- The FTB 304/FTB 305 operates with or without a controller.
- The FTB 304/FTB 305 operates with other FTB 304/FTB 305 Systems in a *master/slave* configuration (see the Installation Drawings supplied with the equipment).
- Disregard any wiring guidelines shown in the manual, and use the Installation Drawings in Figure 1-1 *FTB 304 Single-Phase Installation Wiring* on Page 1-4 and Figure 1-2 *FTB 305 Single-Phase Installation Wiring* on Page 1-5.
- Wherever FTB **204** appears in the manual, substitute FTB **304**. Wherever, FTB **205** appears in the manual, substitute FTB **305**.
- The photoelectric control is a PEC 507 or PEC 508.



**FTB 304 TWO-INTENSITY MASTER/SLAVE SYSTEM  
SINGLE PHASE INSTALLATION WIRING**

Figure 1-1 FTB 304 Single-Phase Installation Wiring

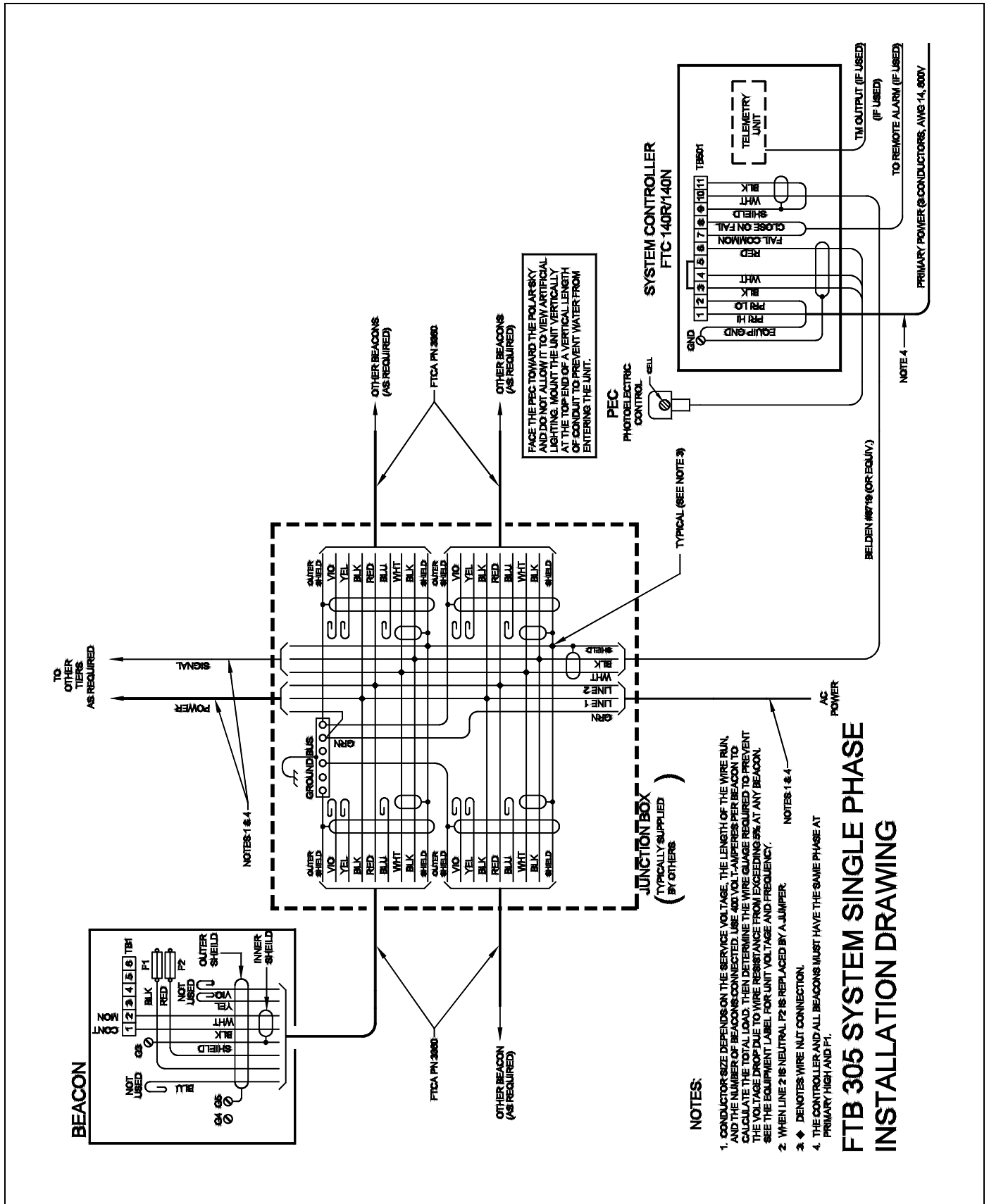


Figure 1-2 FTB 305 Single-Phase Installation Wiring

This page is intentionally left blank.