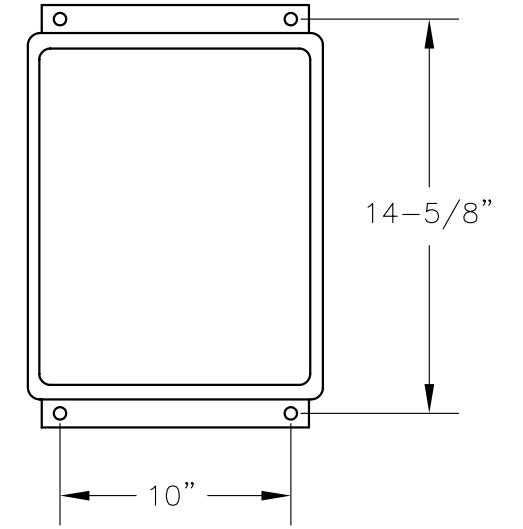
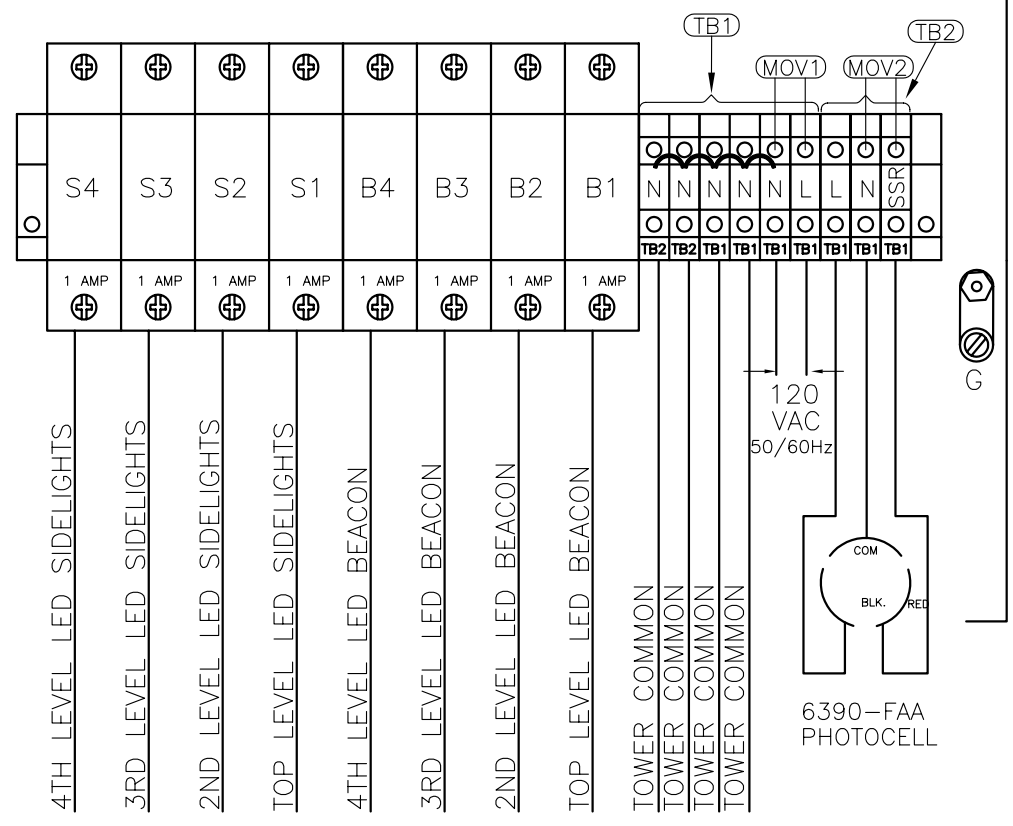
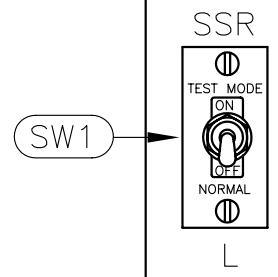
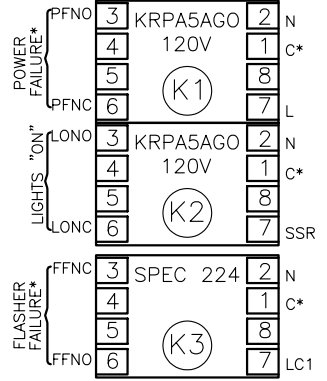
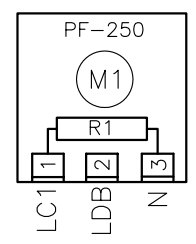
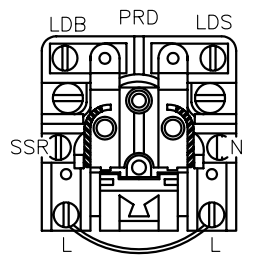
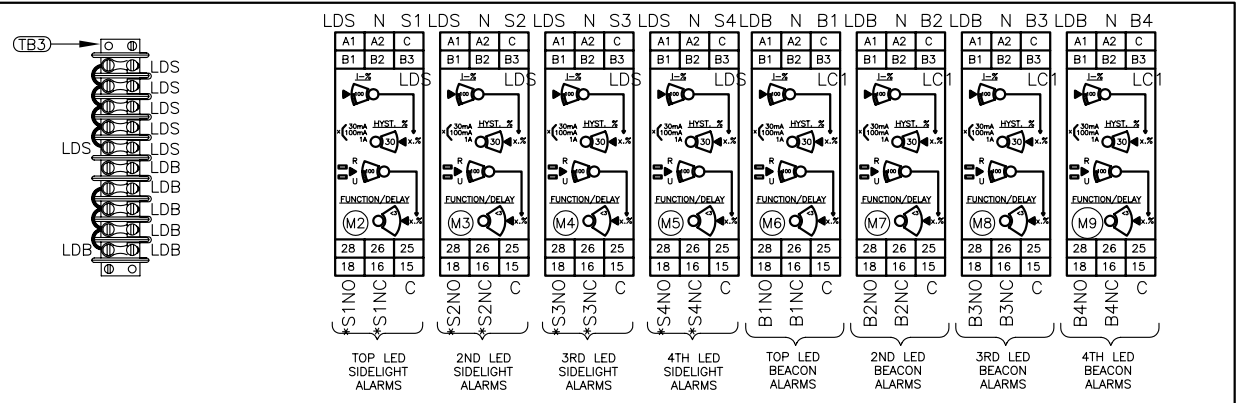


***CUSTOMER ALARM POINTS**

- C = ALARM COMMON
 - PFNO/PFNC = POWER FAILURE
 - LONO/LONC = LIGHTS "ON"
 - FFNO/FFNC = FLASHER FAILURE
 - S1NO/S1NC = TOP LEVEL LED SIDELIGHT BURNOUT
 - S2NO/S2NC = 2ND LEVEL LED SIDELIGHT BURNOUT
 - S3NO/S3NC = 3RD LEVEL LED SIDELIGHT BURNOUT
 - S4NO/S4NC = 4TH LEVEL LED SIDELIGHT BURNOUT
 - B1NO/B1NC = TOP LEVEL LED BEACON BURNOUT
 - B2NO/B2NC = 2ND LEVEL LED BEACON BURNOUT
 - B3NO/B3NC = 3RD LEVEL LED BEACON BURNOUT
 - B4NO/B4NC = 4TH LEVEL LED BEACON BURNOUT
- * ALARM OUTPUTS ARE FORM C.



MOUNTING DIMENSIONS
(FOR CABINET)

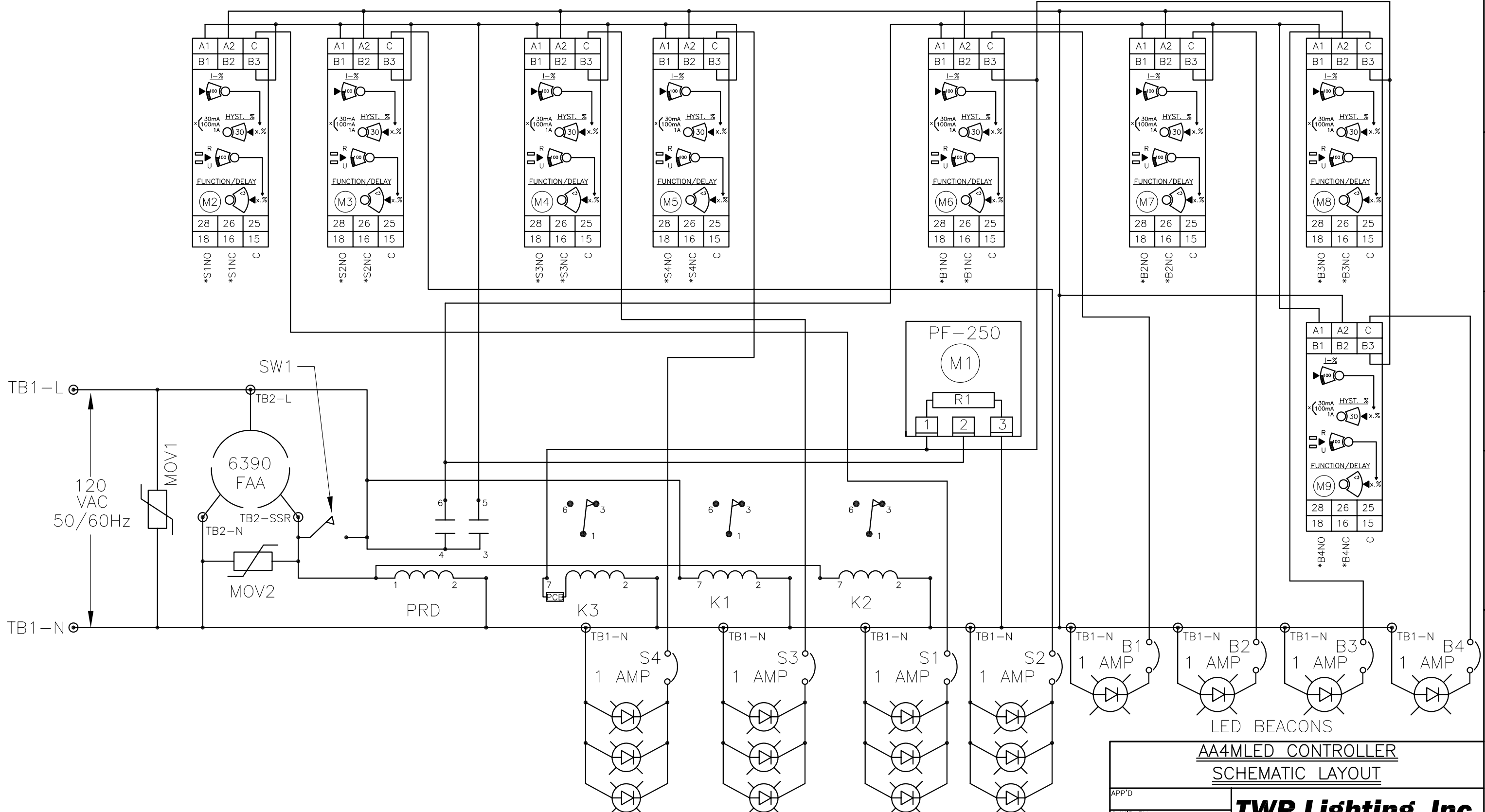
NOTES:

1. WHEN REPLACING METAL BASE MODULES USE HEAT SINK COMPOUND BETWEEN MODULE AND ALUMINUM PLATE.
2. PLUG 6390-FAA PHOTOCELL INTO 43109 TWIST LOCK RECEPTACLE AND TWIST TO LOCK.
3. WIRES ARE CONNECTED LETTER TO LETTER. (EXAMPLE) LD1 TO LD1 TO LD1.

| AA4MLED CONTROLLER CHASSIS LAYOUT | | | |
|-----------------------------------|------------------------------------------------------------|----------------------|--------------------|
| 120V 50/60 Hz | | | |
| APP'D | TWR Lighting, Inc. <i>Enlightened Technology</i> | | |
| CHK'D BY | | | |
| ENGINEER | | | |
| DRAWN BY E.A.SALAZAR | SHEET SIZE B | SHEET QTY. 1 OF 1 | DWG. NO. 1211-R |
| DATE 05/26/05 | SCALE N.T.S. | | |

01/14/2009 (B) UPDATED CONTROLLER
DATE: LTR. REVISION

The use of non-TWR parts or modifications to original equipment design will void the manufacturer warranty and could invalidate the assurance of complying with FAA requirements as published in Advisory Circular 150/5345-43. NOTICE: The drawings and photographic images contained herein are the sole property of TWR Lighting, Inc. All information contained herein that is not generally known shall be considered confidential except to the extent the information has been previously established. The drawings and photographic images contained herein may not be reproduced, copied or used as the basis for manufacture or sale or promotion or any other purpose without the expressed written permission of TWR Lighting, Inc.



**AA4MLED CONTROLLER
SCHEMATIC LAYOUT**

| | | | |
|----------|------------------------------------------------------------|------------|------------|
| APP'D | TWR Lighting, Inc. <i>Enlightened Technology</i> | SHEET SIZE | SHEET QTY. |
| CHK'D BY | | B | 1 OF 1 |
| ENGINEER | | | |
| DRAWN BY | E.A.SALAZAR | DWG. NO. | 1211-S |
| DATE | 05/26/05 | SCALE | N.T.S. |

| | | |
|------------|------|----------------|
| 01/14/2009 | (B) | CHANGED MODULE |
| DATE: | LTR. | REVISION |

The use of non-TWR parts or modifications to original equipment design will void the manufacturer warranty and could invalidate the assurance of complying with FAA requirements as published in Advisory Circular 150/5345-43.
NOTICE: The drawings and photographic images contained herein are the sole property of TWR Lighting, Inc. All information contained herein that is not generally known shall be considered confidential except to the extent the information has been previously established. The drawings and photographic images contained herein may not be reproduced, copied or used as the basis for manufacture or sale or promotion or any other purpose without the expressed written permission of TWR Lighting, Inc.