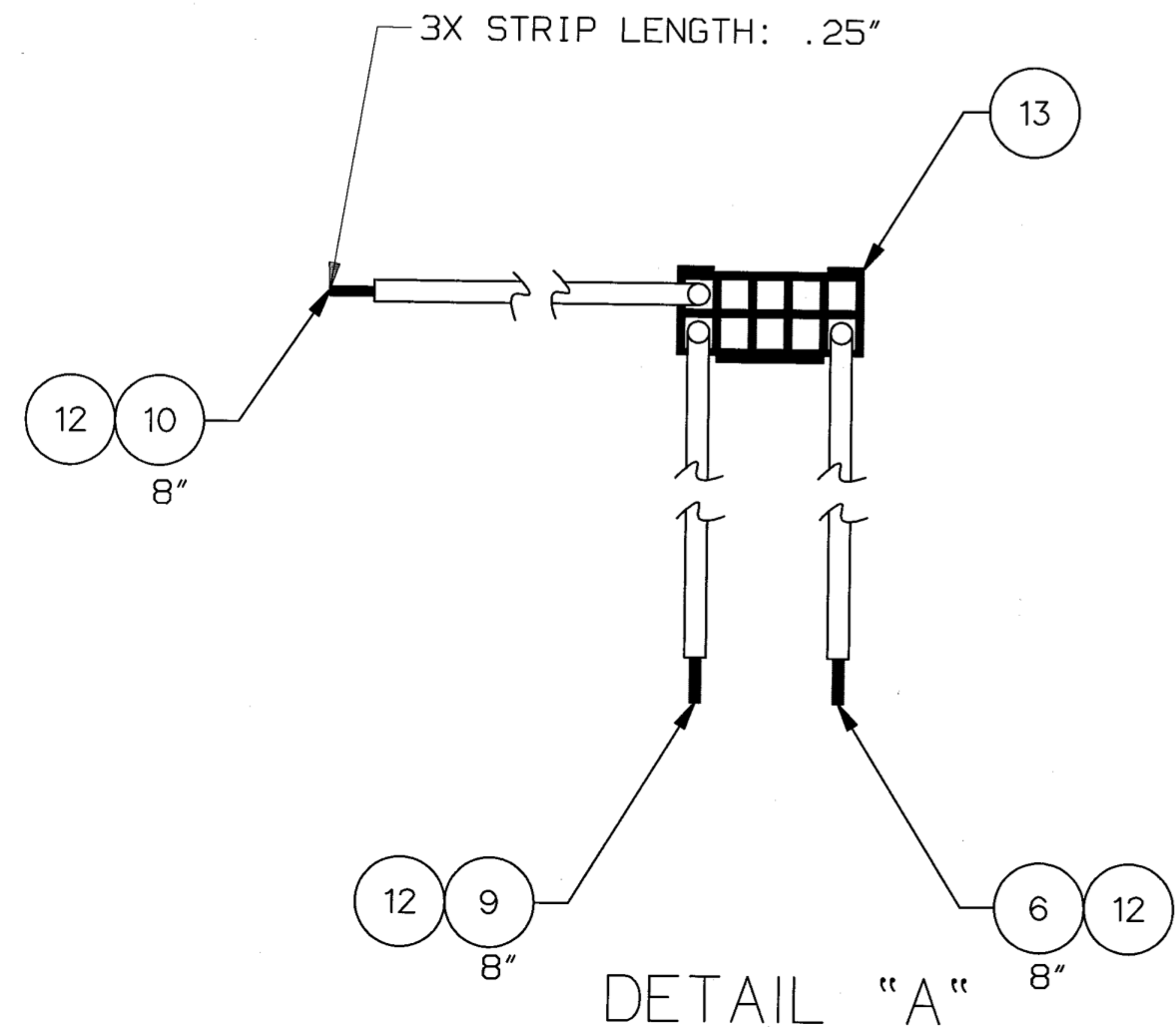
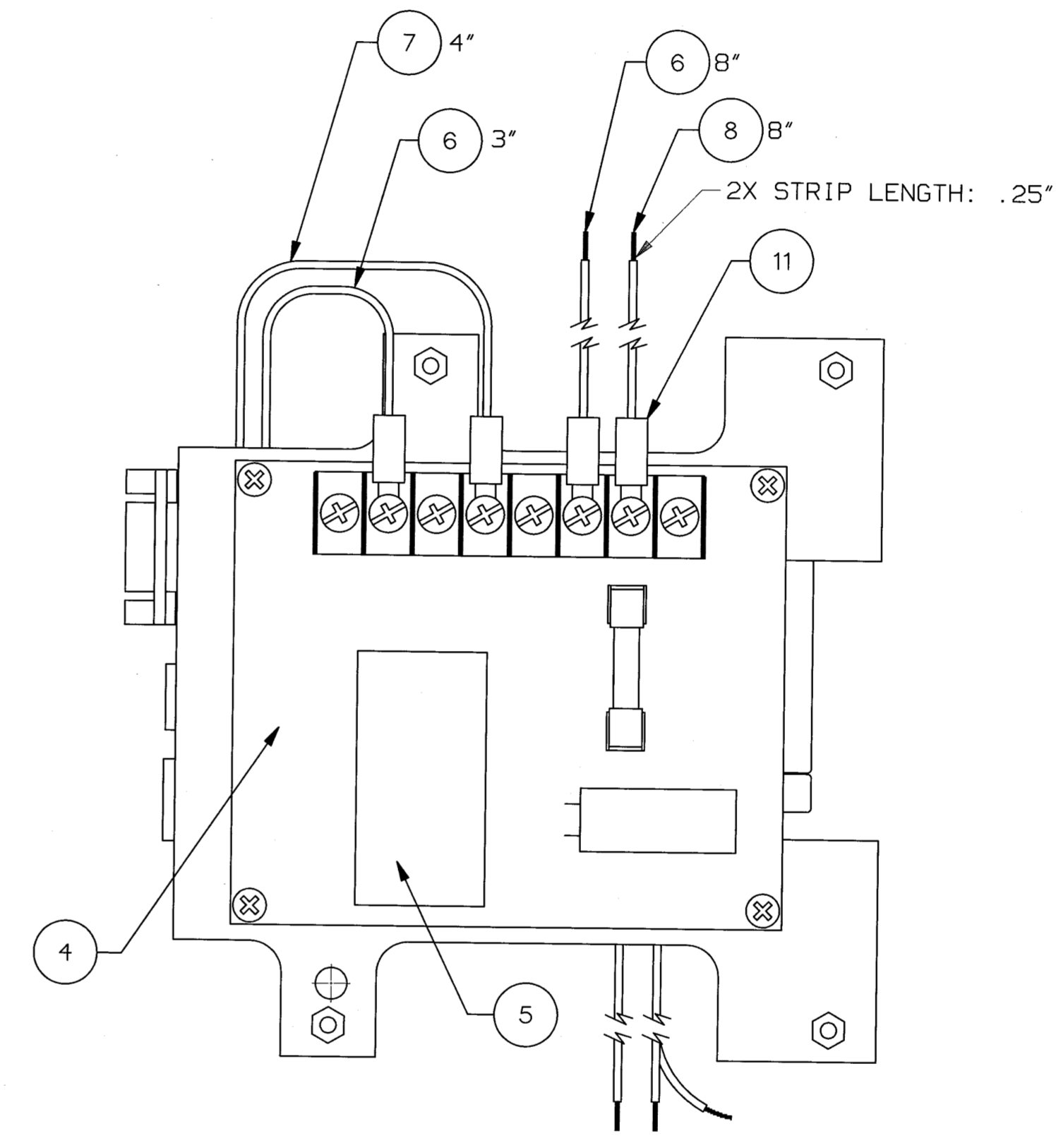
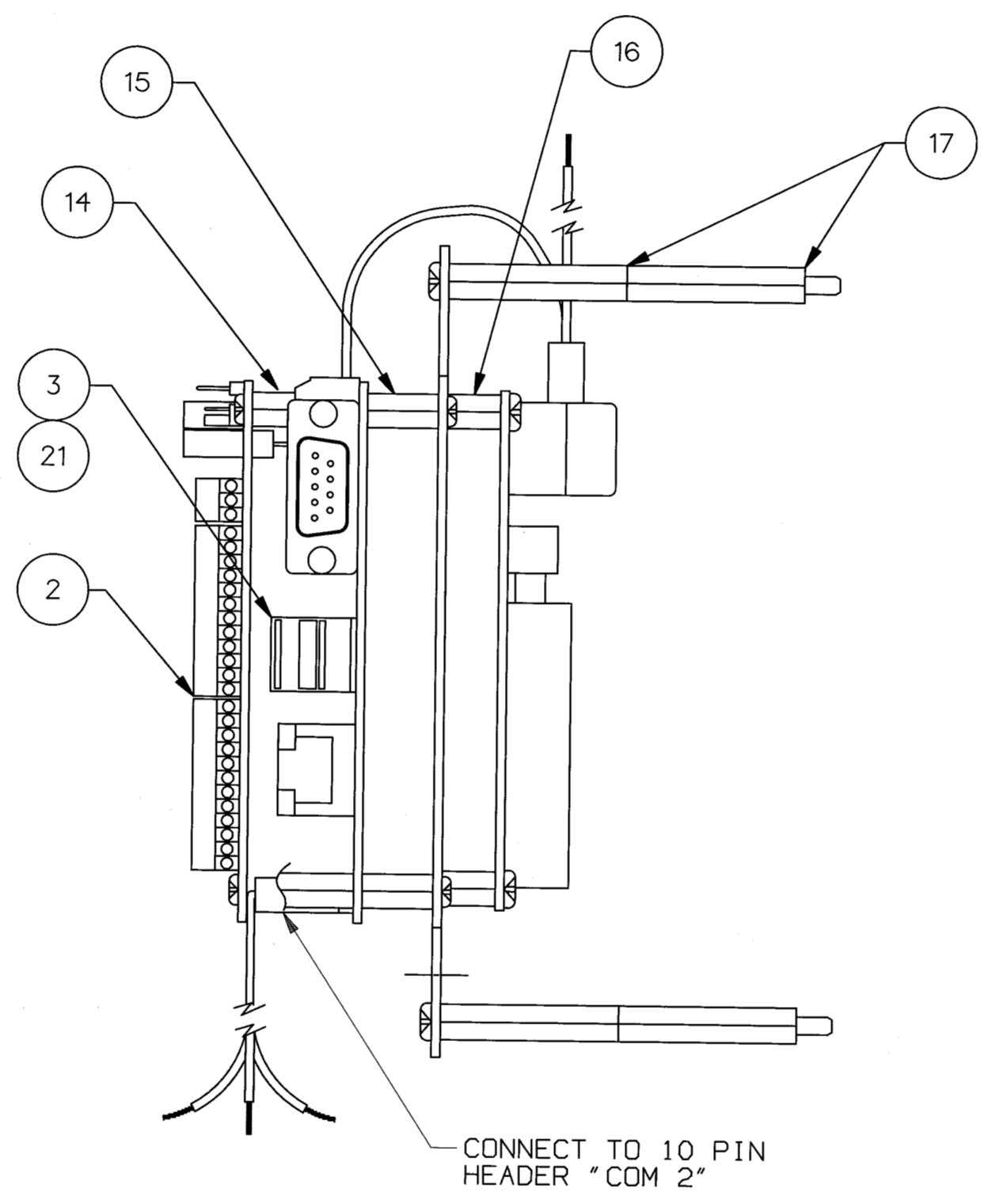
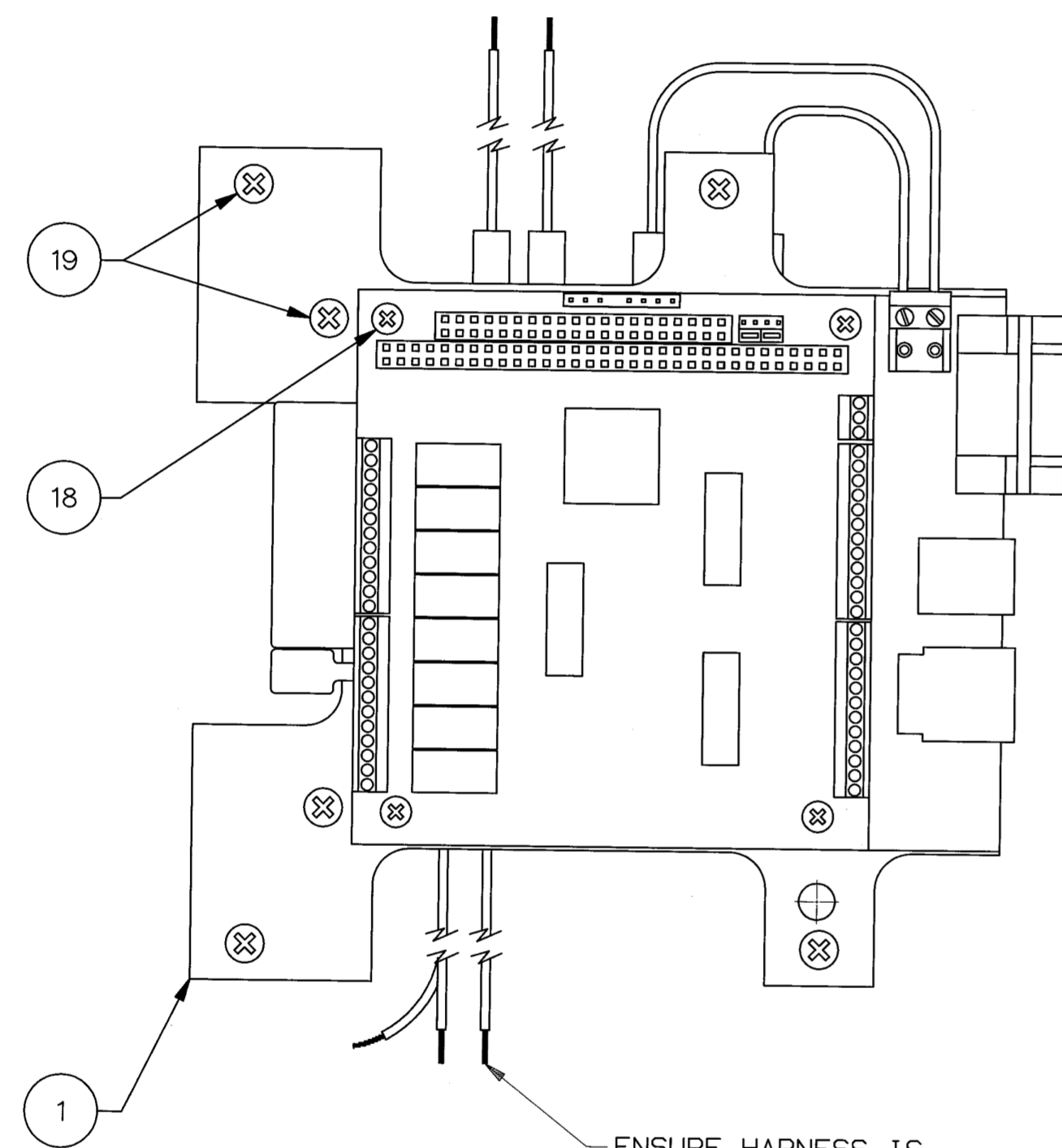


REV STATUS		REVISION HISTORY					
SH	REV	REV	DESCRIPTION	DR	CHKD	APPROVED	DATE
		-	INITIAL PRODUCTION RELEASE	EME	<i>[Signature]</i>	<i>[Signature]</i>	07-11-30

- GENERAL NOTES:
- WORKMANSHIP STANDARDS PER GRIMES SPECIFICATION 09-03-030
  - IDENTIFY PER GRIMES SPEC S5-33063



20 ASSEMBLED TO MASTER CONTROLLER AT NEXT ASSEMBLY

SEE SEPARATE PARTS LIST PL40002083 REV -

QTY REQD	ITEM	PART NUMBER	NOMENCLATURE	REMARKS
-001	40002083	ASSY, PLCHMR MODULE		

THIS DRAWING EMBODIES A PROPRIETARY DESIGN ORIGINATED BY GRIMES AEROSPACE COMPANY. THE INFORMATION CONTAINED IN THIS DRAWING IS CONFIDENTIAL AND THE RECIPIENT AND HIS EMPLOYEES MUST KEEP THIS INFORMATION CONFIDENTIAL. NEITHER IT NOR THE INFORMATION APPEARING HEREON SHALL BE DISCLOSED, USED, OR DUPLICATED FOR ANY PURPOSE, UNLESS SPECIFICALLY AUTHORIZED BY GRIMES AEROSPACE COMPANY. THIS DRAWING IS THE PROPERTY OF GRIMES AEROSPACE COMPANY AND SHALL BE RETURNED TO IT UPON REQUEST. ALL INTELLECTUAL PROPERTY RIGHTS INCLUDING COPYRIGHT AND PATENT RIGHTS RELATING HERETO ARE SPECIFICALLY RESERVED.

DATUM	ZONE	APPLICATION
-001	40000329	SG-60
	P/N	NEXT ASSY
		USED ON

TOLERANCES: (UNLESS OTHERWISE SPECIFIED)		CONTRACT NO.	
.X	±.1	.XXX	±.010
.XX	±.03	ANGLES	±0°30'

DRAWN	DATE
E. M. EVERHART	07-10-17
CHECKED	<i>[Signature]</i> 07-11-14
PROJECT ENGINEER	<i>[Signature]</i> 07-11-12
DESIGN MANAGER	<i>[Signature]</i> 07-11-12
RELEASE	<i>[Signature]</i> 07-11-30

**Honeywell** Grimes Aerospace Company  
Urbana, Ohio 43078

TITLE: KIT ASSY, PLCHMR MODULE  
SGC-60

SIZE: D CAGE CODE: 72914 DWG NO.: 40002083

SCALE: 1/1 MAX. WT. SHEET 1 OF 1

D  
C  
B  
A

D  
C  
B  
A

8 7 6 5 4 3 2 1

8 7 6 5 4 3 2 1